

# Petra

Predisposizione consigliata attacco acqua per  
funzione vaso/bidet  
*Inlet water connection suggest for wc/bidet working*

**GSG**  
CERAMIC DESIGN

## DESCRIZIONE

Vaso a terra traslato senza brida, con sistema di scarico Eco Clean. Scarico a parete convertibile a pavimento con curva tecnica.

*WC back to wall rimless with Eco Clean flushing system.  
Wall drain suitable to floor drain with technical or adjustable elbow*



bianco lucido  
*white shiny*

**COD**

**PEWC01EC 000**

**CM**

**36x53**

**KG**

**30,5**

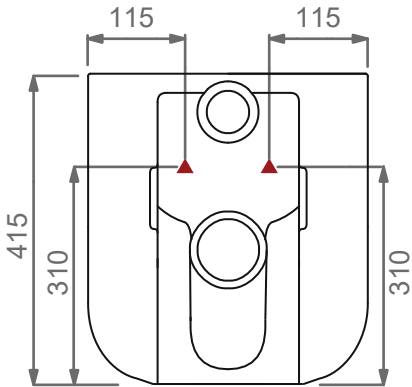


colorato  
*coloured*

**PEWC01EC XXX**

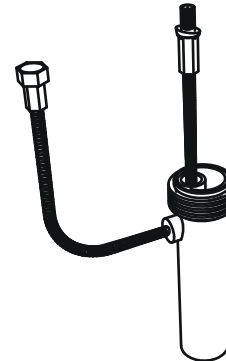
**36x53**

**30,5**



Predisposizione consigliata attacco acqua, Dx o Sx, in caso di utilizzo del dispositivo erogazione acqua per funzione vaso/bidet (Cod. ACS 114)

*Inlet water connection suggest, left or right, in case of use of water supply device for wc/bidet working (Cod. ACS 114)*



Dispositivo vaso/bidet

*Wc/bidet device*

Cod. ACS114

Produttore: GSG ceramic design

Designer: Massimiliano Abati

Codice: PEWC01EC

Scala: 1:10

**Eco Clean**  
Sistema di scarico Eco Clean  
Eco Clean flushing system



**GSG**  
CERAMIC DESIGN

**Web site**



This drawing including the respected data may neither be duplicated nor modified nor altered without the consent of GSG Ceramic Design. The use of the data/technical drawings take place at users own risk and under exclusion of any liability of GSG Ceramic Design. The dimensions are not binding; products are subject to changes. Measurement shown may be subjected to small variations or are indicative.

